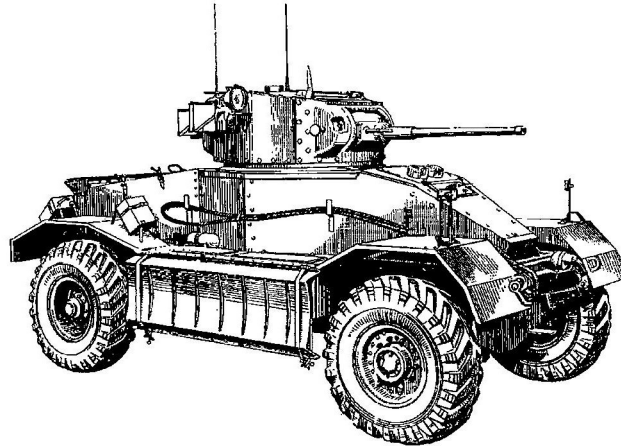


CAR, Armoured, A.E.C. Mk I Maintenance Illustrations



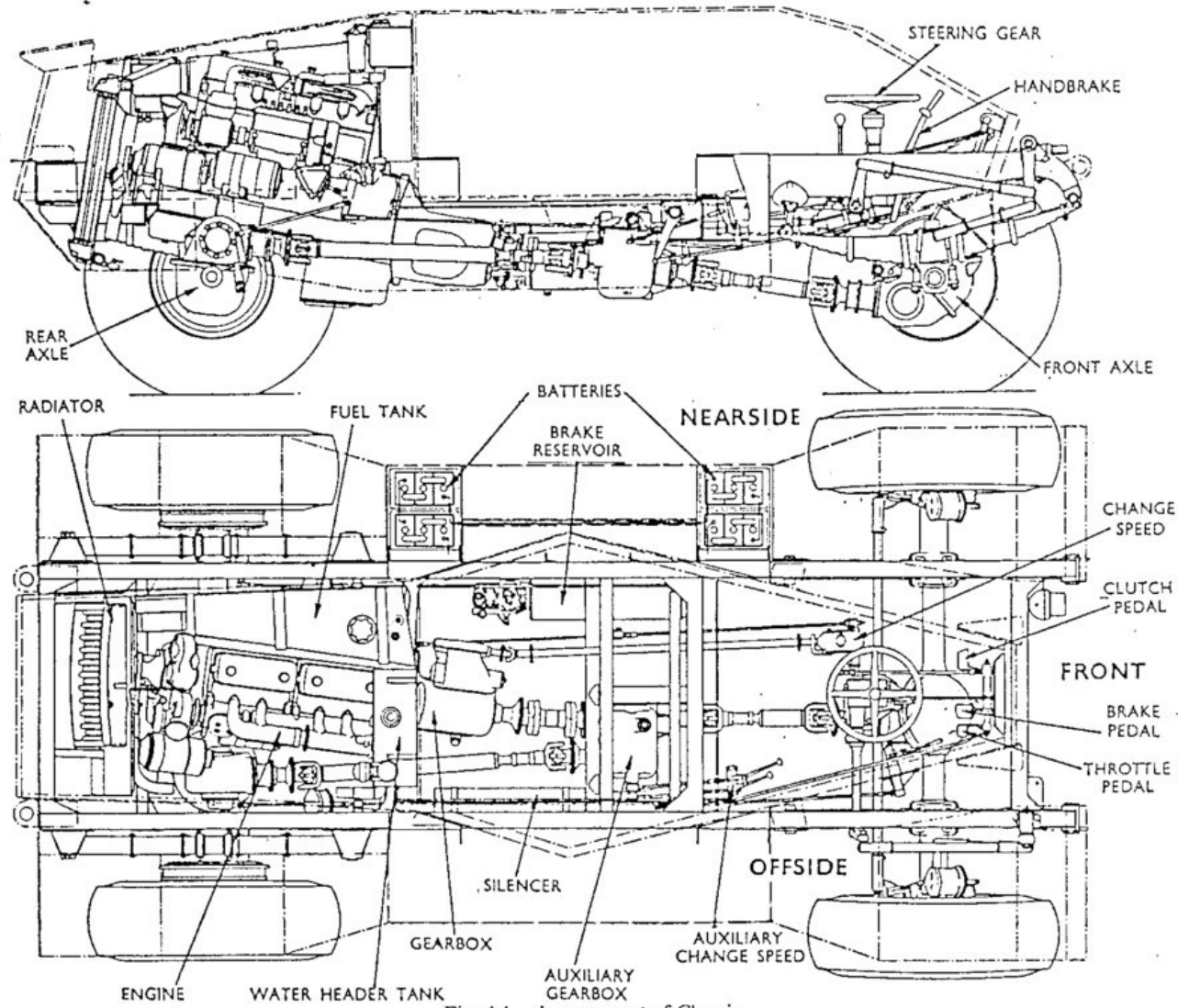


Fig. A4. Arrangement of Chassis.

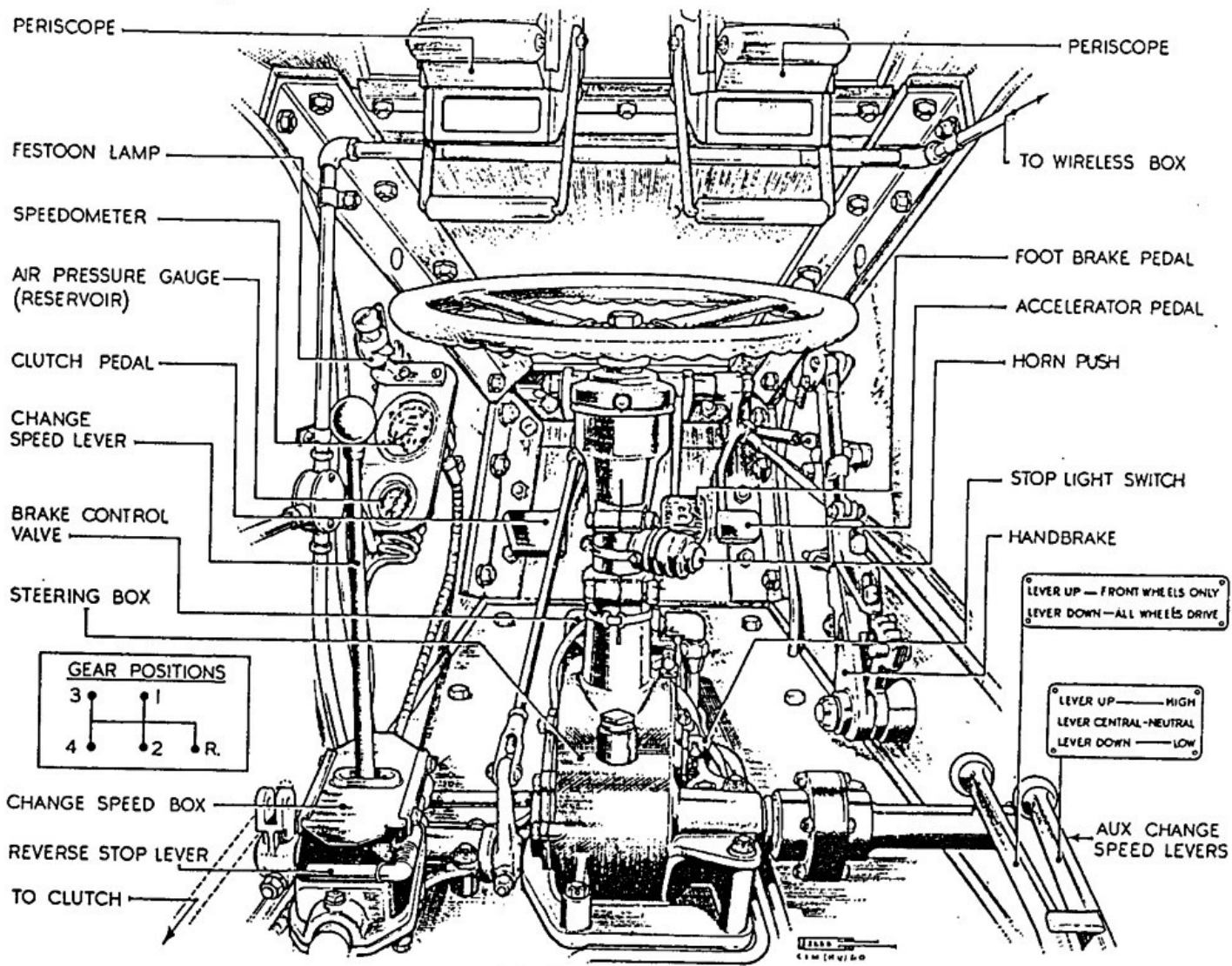


Fig A6. Driver's Controls.

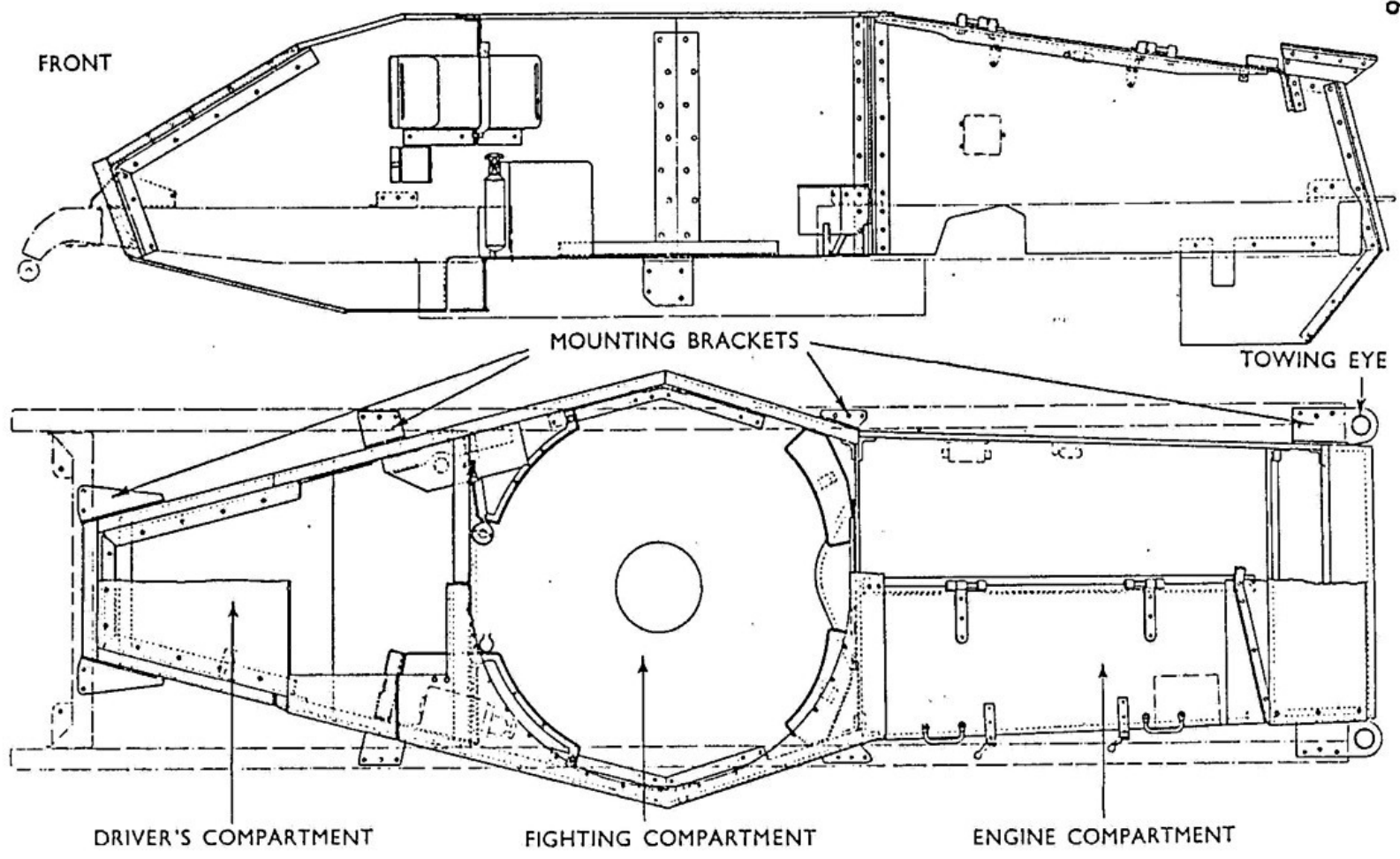


Fig. T1. The Hull.

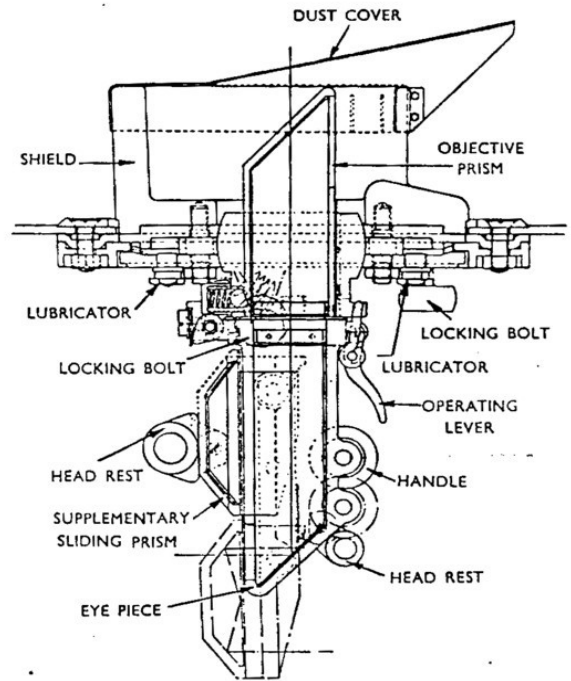


Fig. T8. Observation Periscope.

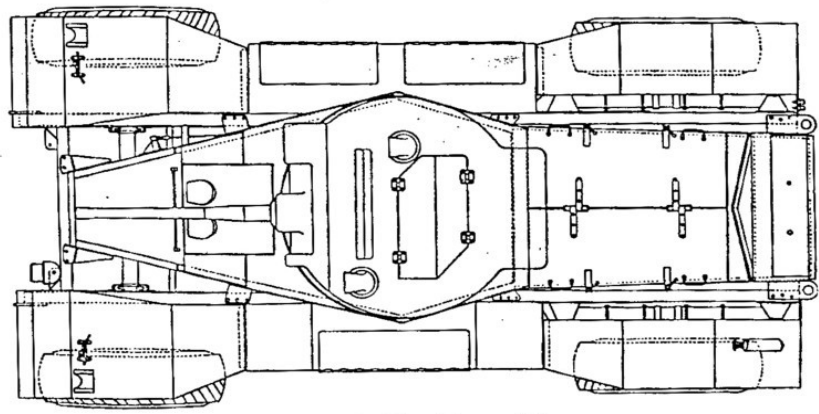
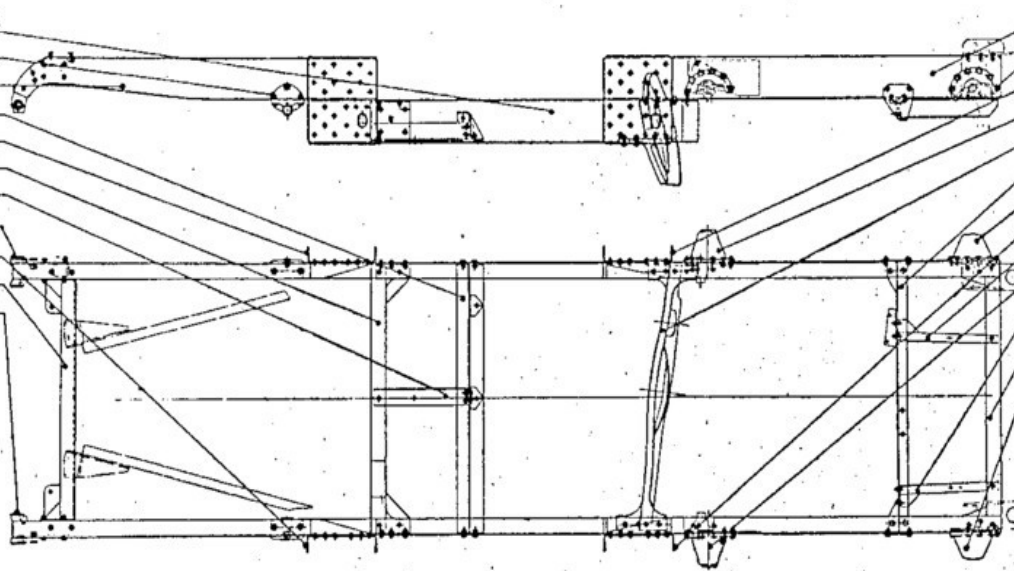


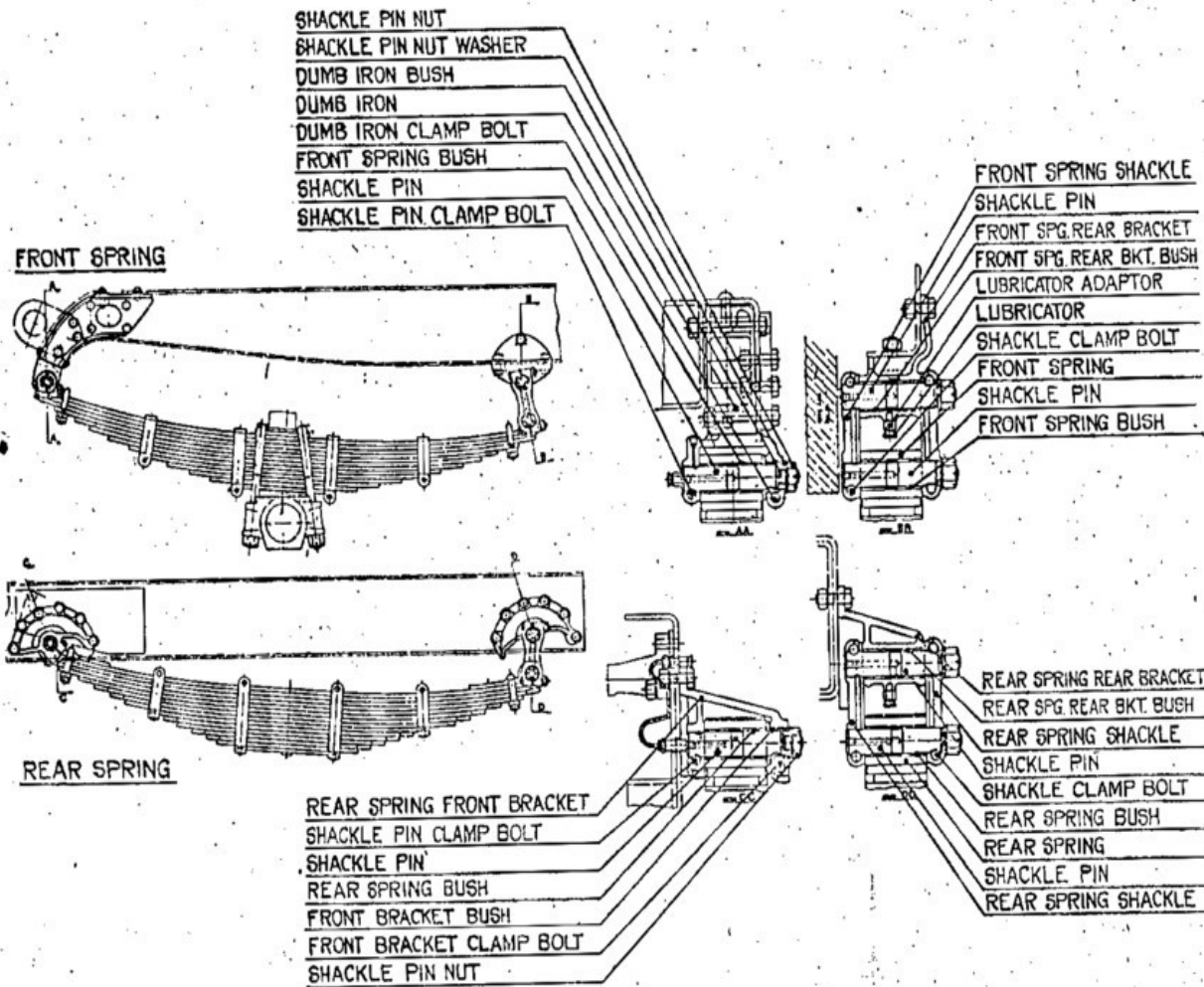
Fig. T9. Plan View of Armoured Car.

FRAME/CENTRE
 FRONT SPRING REAR BKT.
 FRAME/FRONT
 AUXILIARY C/BOX X-MEMBER
 FRAME FLITCH PLATE/O.S.FRONT
 2ND CROSSMEMBER
 AUX C/BOX SUPPORT ANGLE
 DUMB IRON O.S.
 FRAME FLITCH PLATE/N.S.FRONT
 FRONT CROSSMEMBER
 DUMB IRON N.S.

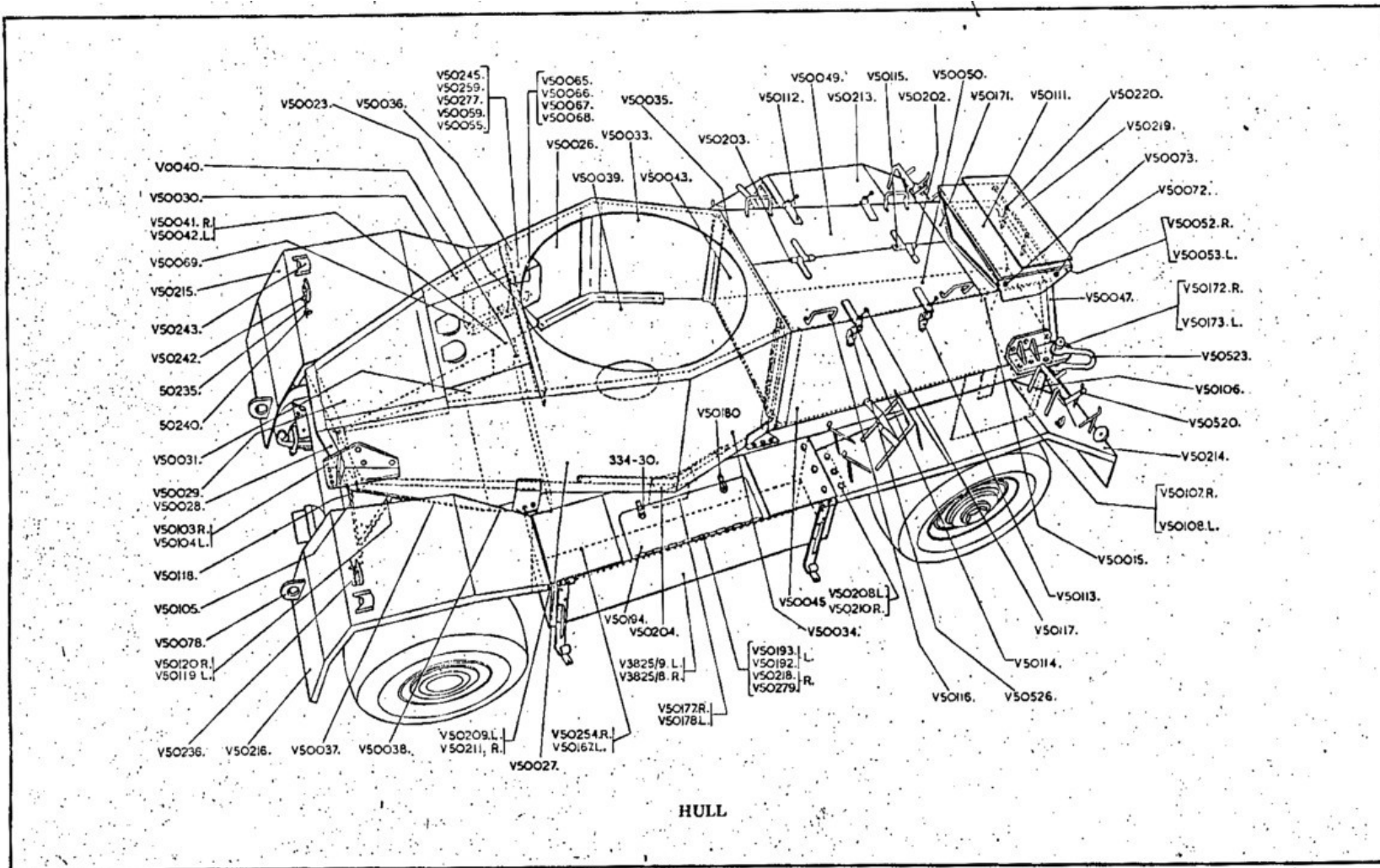


FRAME/REAR
 REAR SPRING BRACKET BOLT
 FRAME FLITCH PLATE/O.S. REAR
 REAR SPRING BKT./O.S. FRONT
 ENGINE REAR CROSSMEMBER
 ENGINE FRONT CROSSMEMBER
 REAR SPRING BKT./O.S. REAR
 FRAME FLITCH PLATE/N.S. REAR
 RADIATOR SUPPORT O.S.
 REAR SPRING BKT./N.S. FRONT
 RADIATOR SUPPORT N.S.
 REAR CROSSMEMBER
 REAR SPRING BKT./N.S. REAR

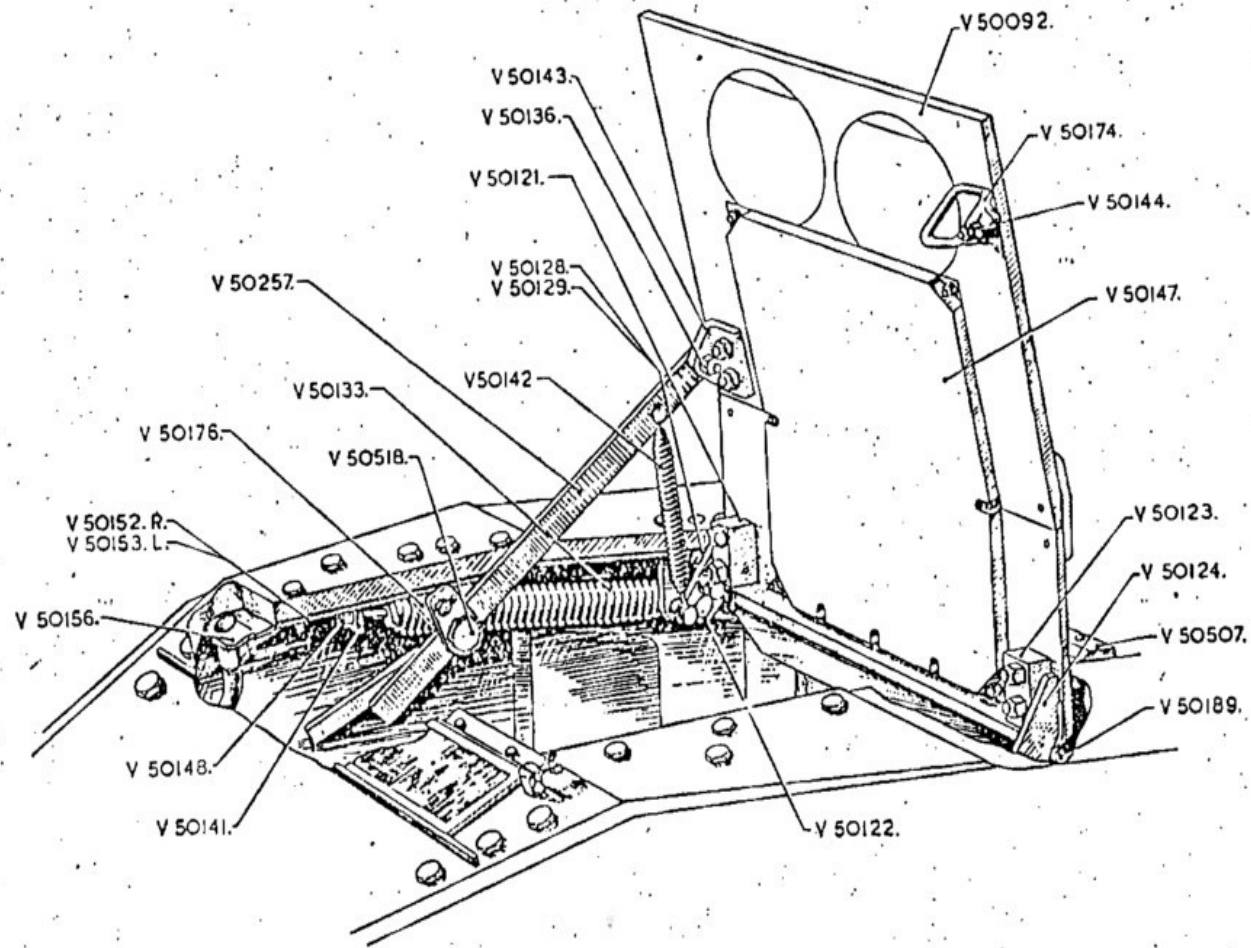
FRAME AND SUSPENSION—SHEET 1/2



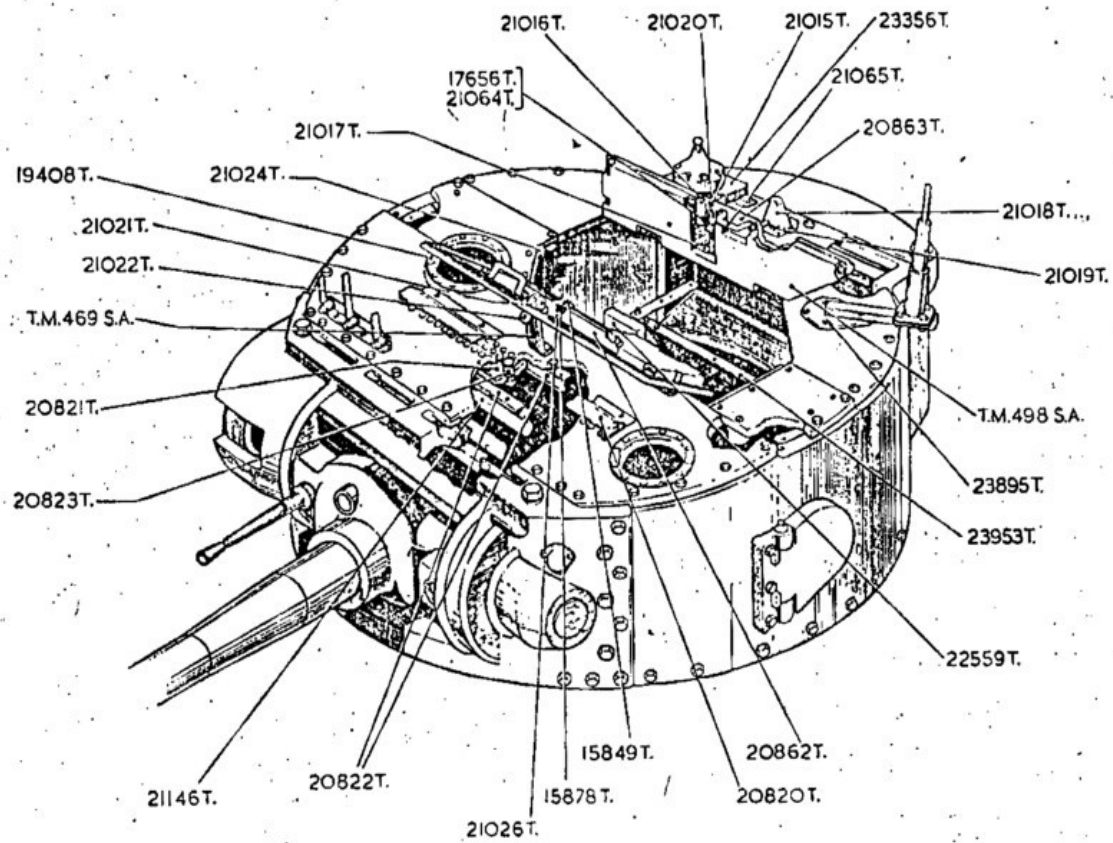
FRAME AND SUSPENSION—SHEET 2/2



HULL

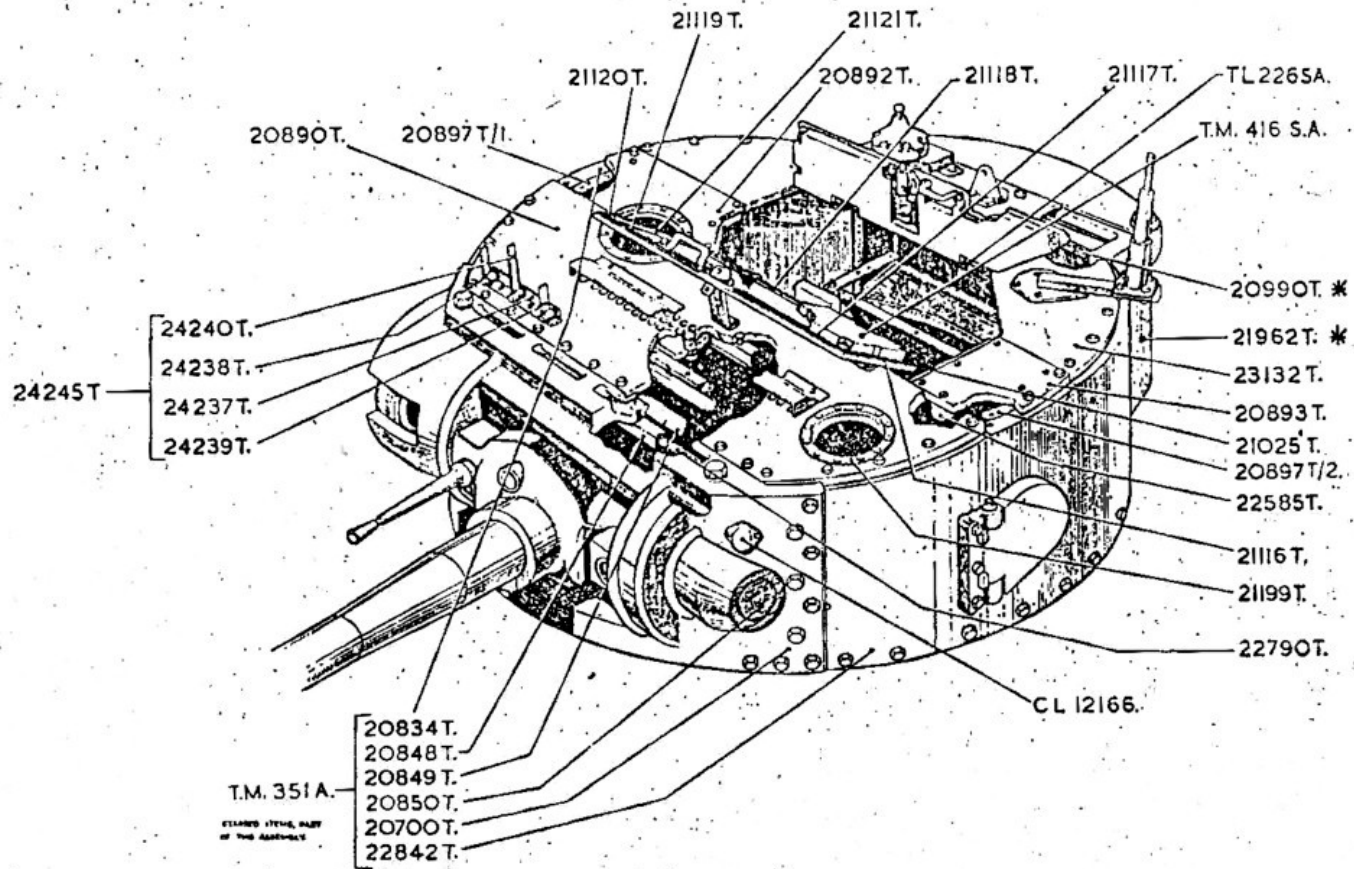


HULL-DRIVER'S FLAP



TURRET—SHEET 1/2

PLATE No. 50



TURRET—SHEET 2/2