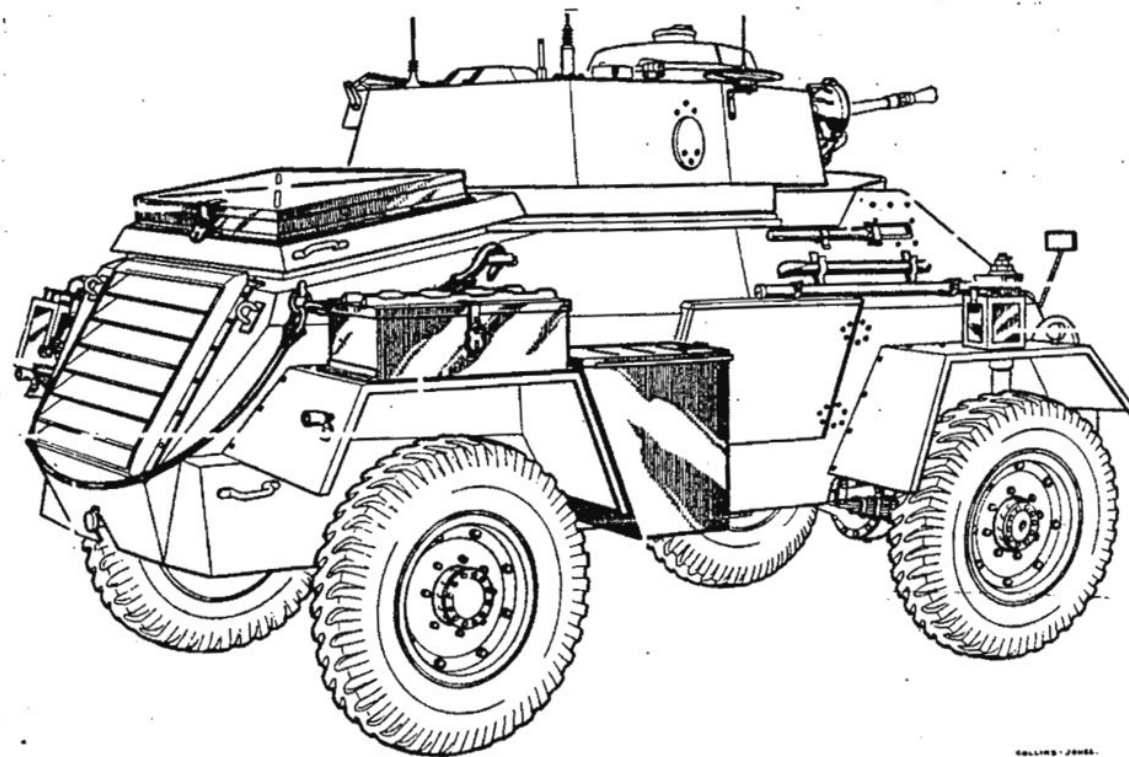


60/59



CALLING - JONES.

ARMOURED CAR, HUMBER, MARK II
STOWAGE SKETCH
EXTERIOR - OFFSIDE.

SKETCH BY KARRIER MOTORS LTD.

5 SHEETS

SHEET 1.

CHECKED BY *A. R. Smart.*

T.D. 5532.

K. J. J. FOR D.T.D.

11-3-42.

PERISCOPE, TANK, N° 6 MK.I.
WITH COVER, PERISCOPE, TYPE A.
DISCHARGER, SMOKE GENERATOR, 4 in. N° 2, MK. II.
WITH COVERS, MUZZLE - 2 OFF.

GUN, M/C BESA 7.92 mm.

MIRROR, OBSERVATION, DRIVERS, 2 OFF.

CAN, WATER, 2 GALLON.

BRACKET, SAND CHANNEL 2 OFF.

LAKEMAN MOUNTING (DOUBLE PIVOT)
FOR BREN A.A. M.G.

GUN, 1/2 BREN .303 in. M.G. MK. I.
1/2 BIPOD.
WALLET, SPARE PARTS, BREN .303 in. M.G.
ROD, CLEANING, CYLINDER, BREN.

SHOVEL, G.S.

AXE, PICK, HEAD.

BOX, RATION, N° 2, MK. I. 3 OFF.
COOKER, PORTABLE, N° 2.
TIN, BISCUITS, 10 oz. RATIONS 4 OFF.
CONNECTION, TYRE PUMP.
COVER, BREECH, RIFLE N° 2 MK. I.
CAN, WATER, 2 GALLON RADIATOR
CONDENSER.

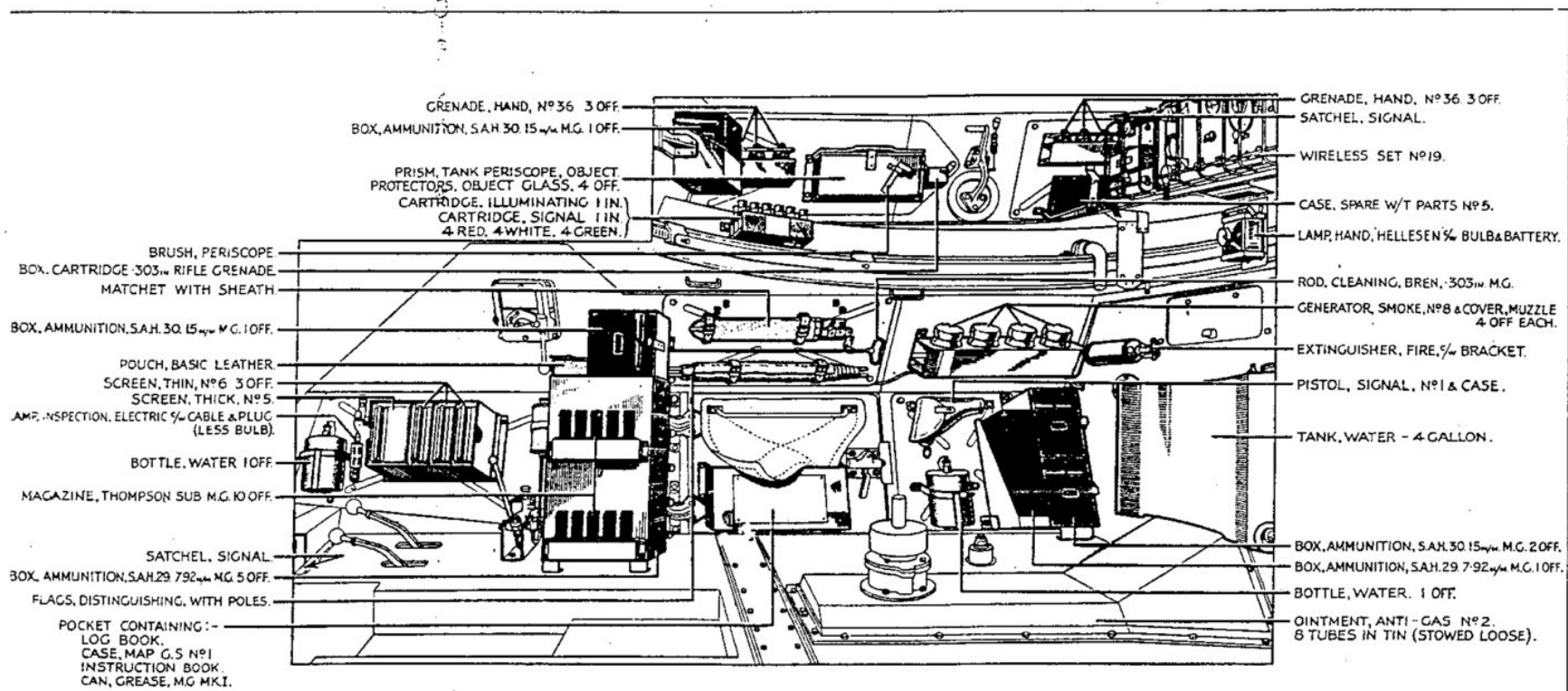
BLANKET, BROWN, SINGLE 2 OFF.
GREATCOATS 3 OFF.
TIN, BISCUITS 10 oz. RATION 5 OFF.
BLEACH POWDER 2 LB. TIN.

GALLING, JAMES.

ARMoured CAR, HUMBER, MARK II
STOWAGE SKETCH
EXTERIOR - NEAR SIDE.

11-3-42			
---------	--	--	--

SKETCH BY KARRIER MOTORS LTD.	5 SHEETS	SHEET 2.
CHECKED BY <i>J. R. Smart</i>	T.D. 5532.	
<i>R. J. J. J.</i> FOR D.T.D.		



ARMOURD CAR, HUMBER. MARK II

STOWAGE SKETCH
INTERIOR - OFFSIDE.

SKETCH BY KARRIER MOTORS LTD.

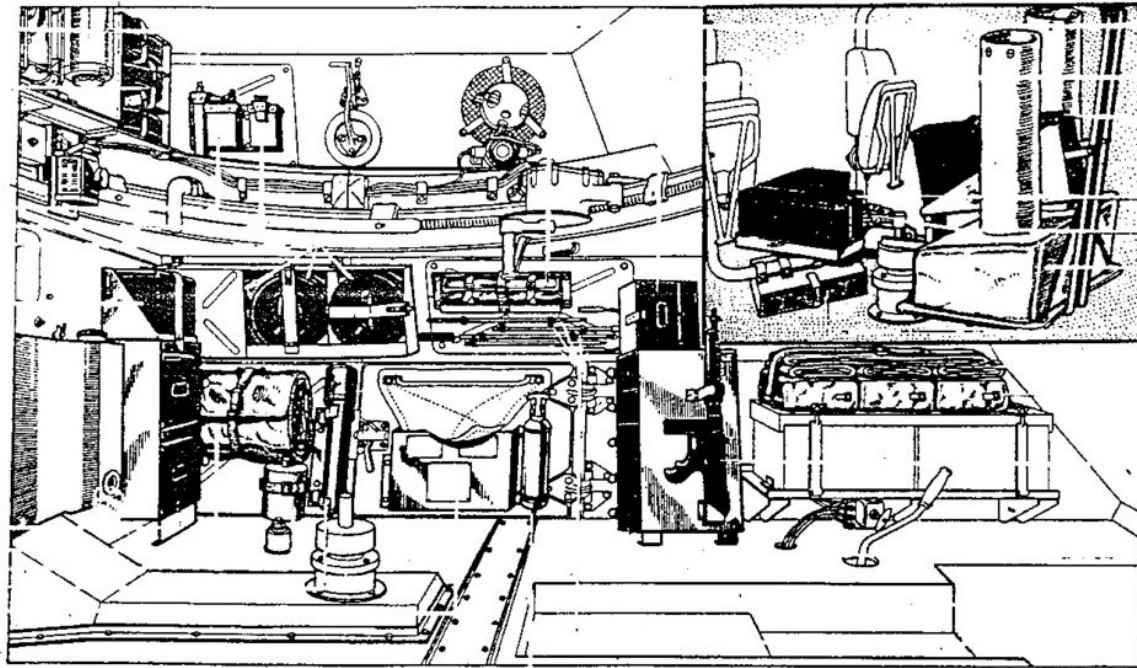
CHECKED BY *A.P. Smart*

R.T. Long FOR D.T.D.

5 SHEETS. SHEET 3.

T.D. 5532.

11-3-42.



ARMoured CAR, HUMBER, MARK II.

**STOWAGE SKETCH
INTERIOR - NEAR SIDE.**

SKETCH BY KARRIER MOTORS LTD.

5 SHEETS.

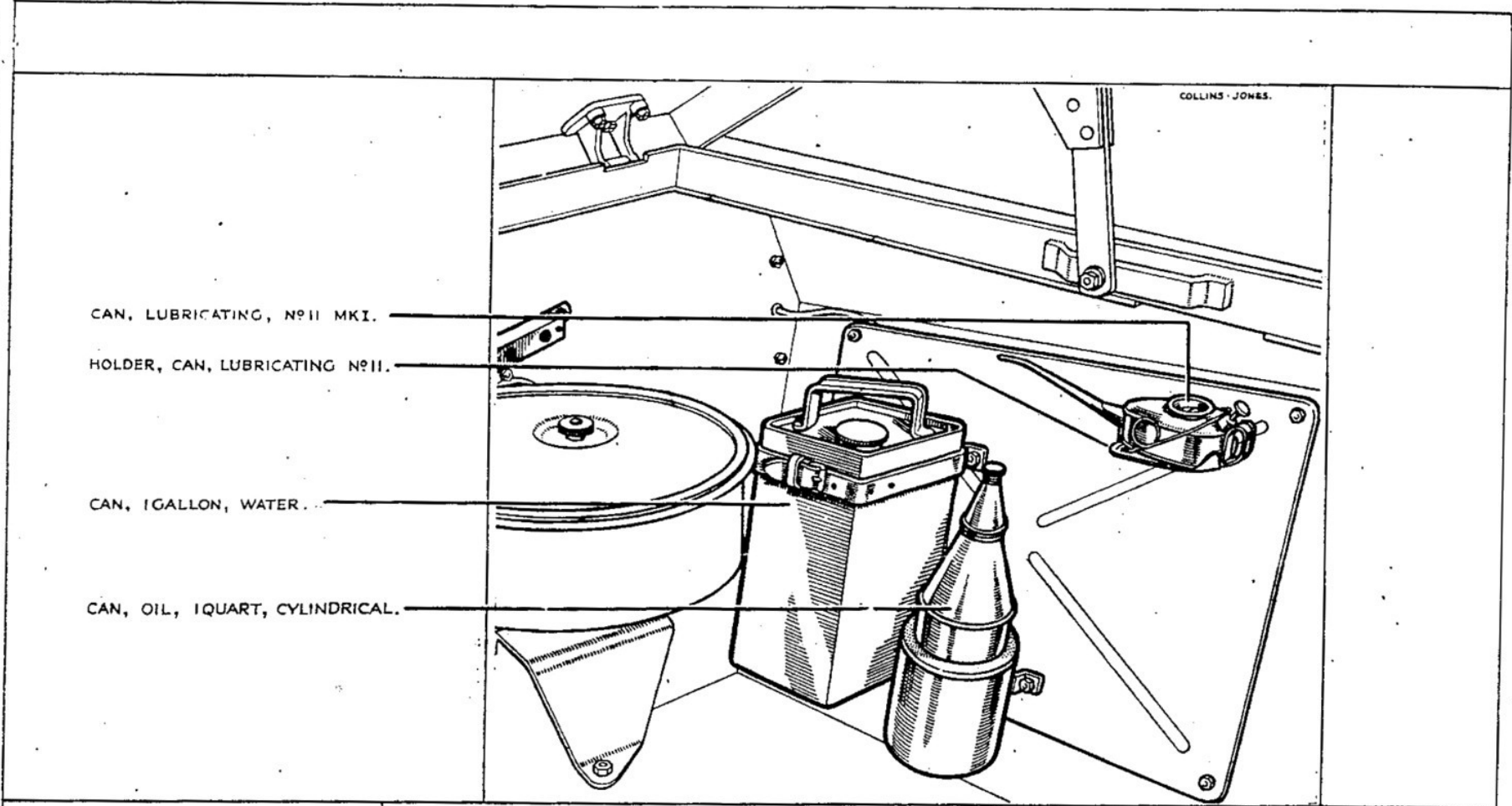
SHEET 4.

CHECKED BY *J. R. Smart*

K. J. Joy FOR D.T.D.

T.D. 5532.

11-3-42.



11-3-42			

ARMOURD CAR, HUMBER, MARK II
STOWAGE SKETCH
ENGINE COMPARTMENT - RIGHT HAND.

SKETCH BY KARRIER MOTORS LTD

5 SHEETS. SHEET 5.

CHECKED BY *f. R. Smart*

N. J. Jones FOR D.T.D.

T.D. 5532.