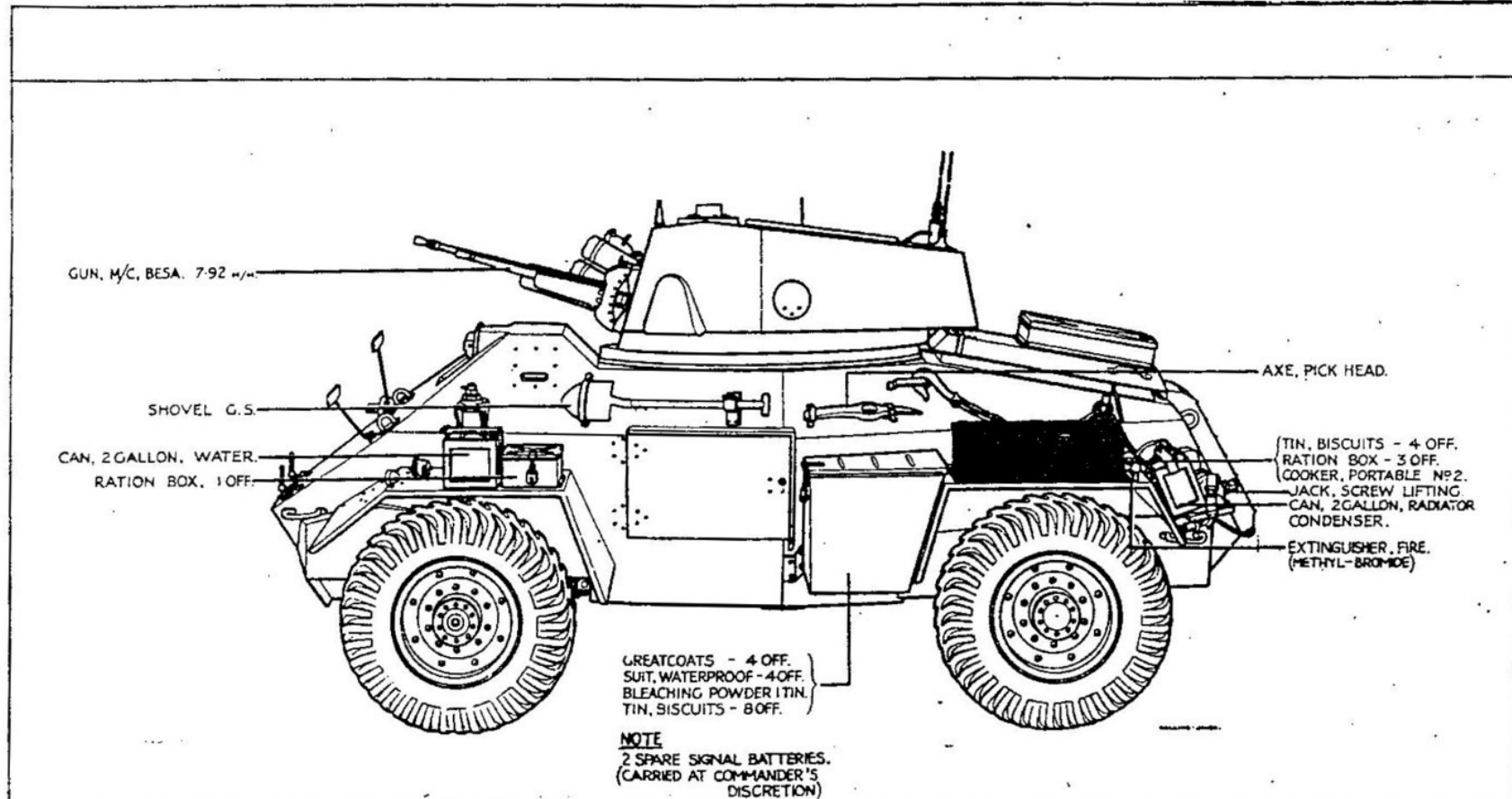
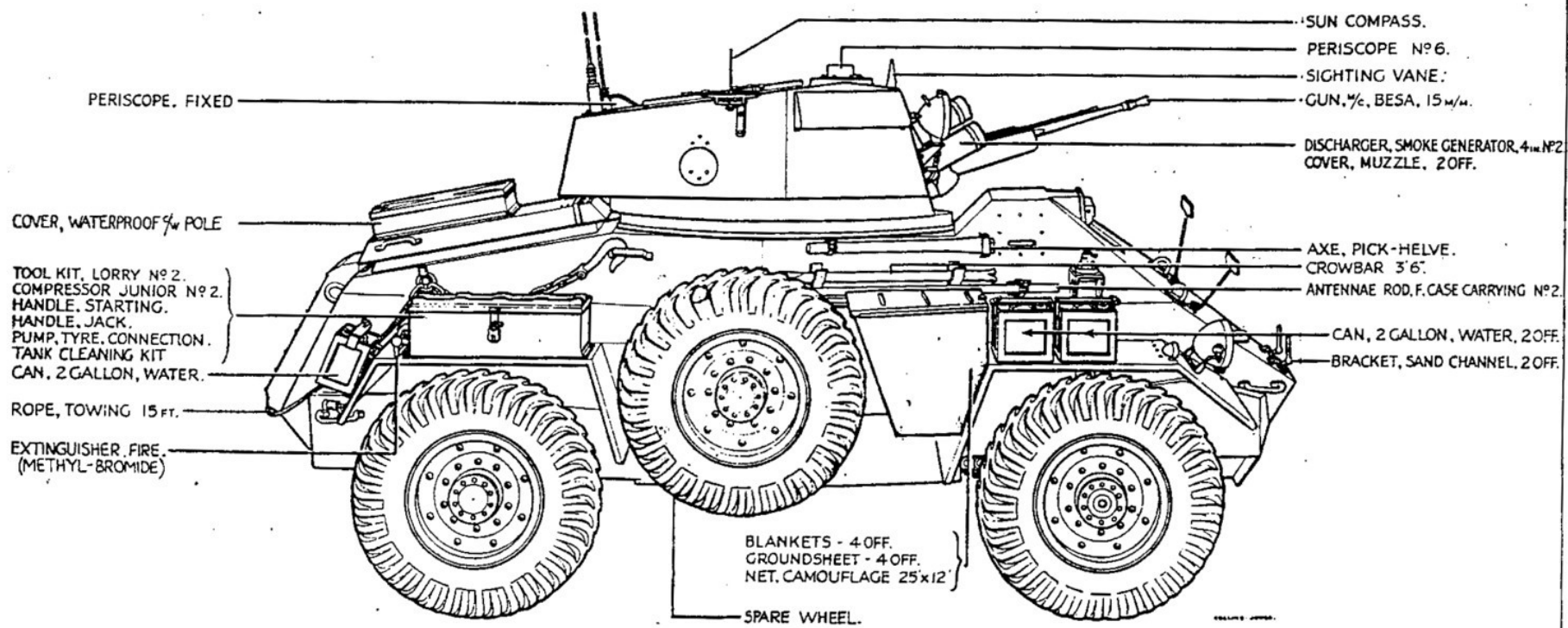


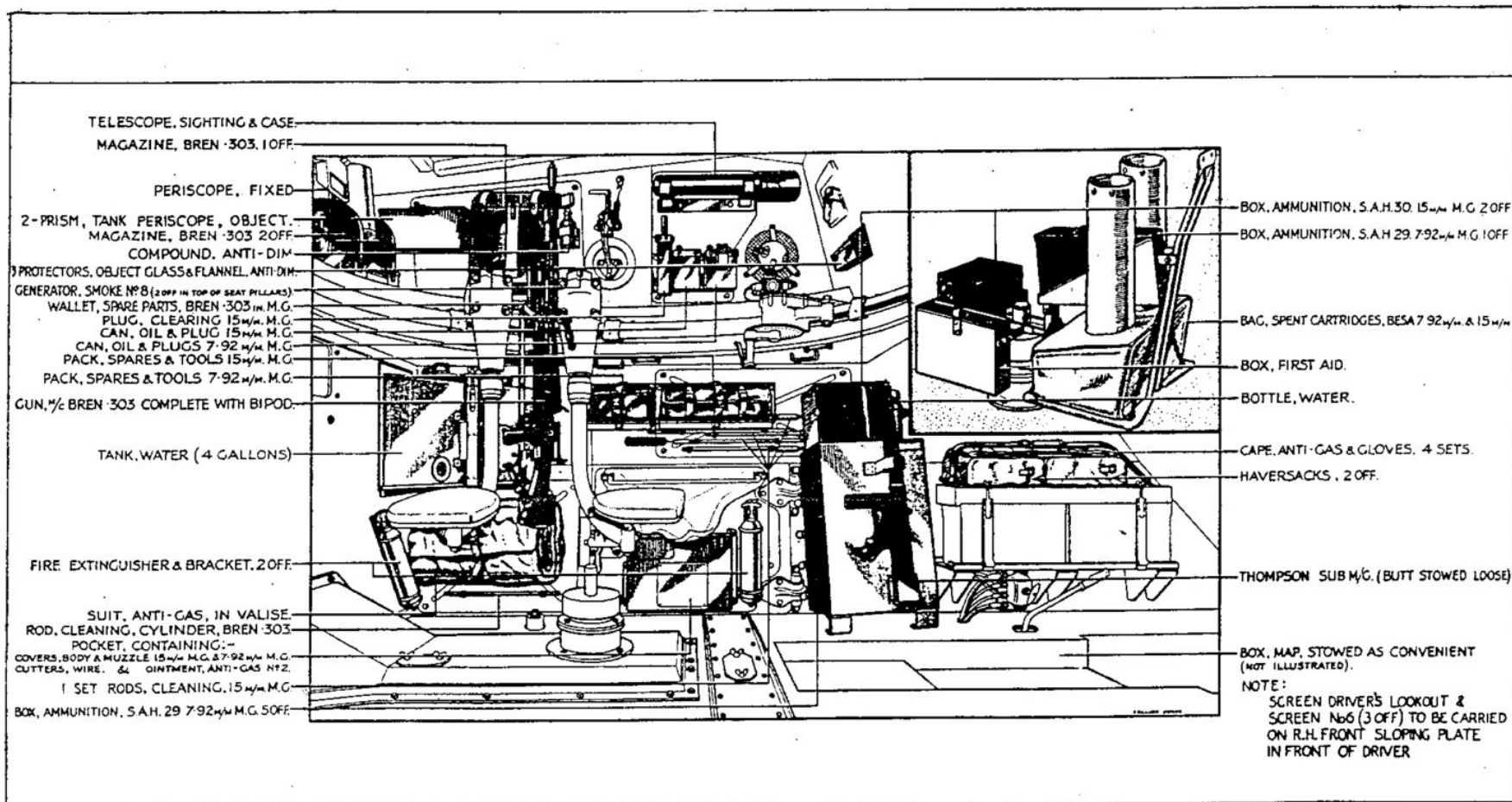
60/76



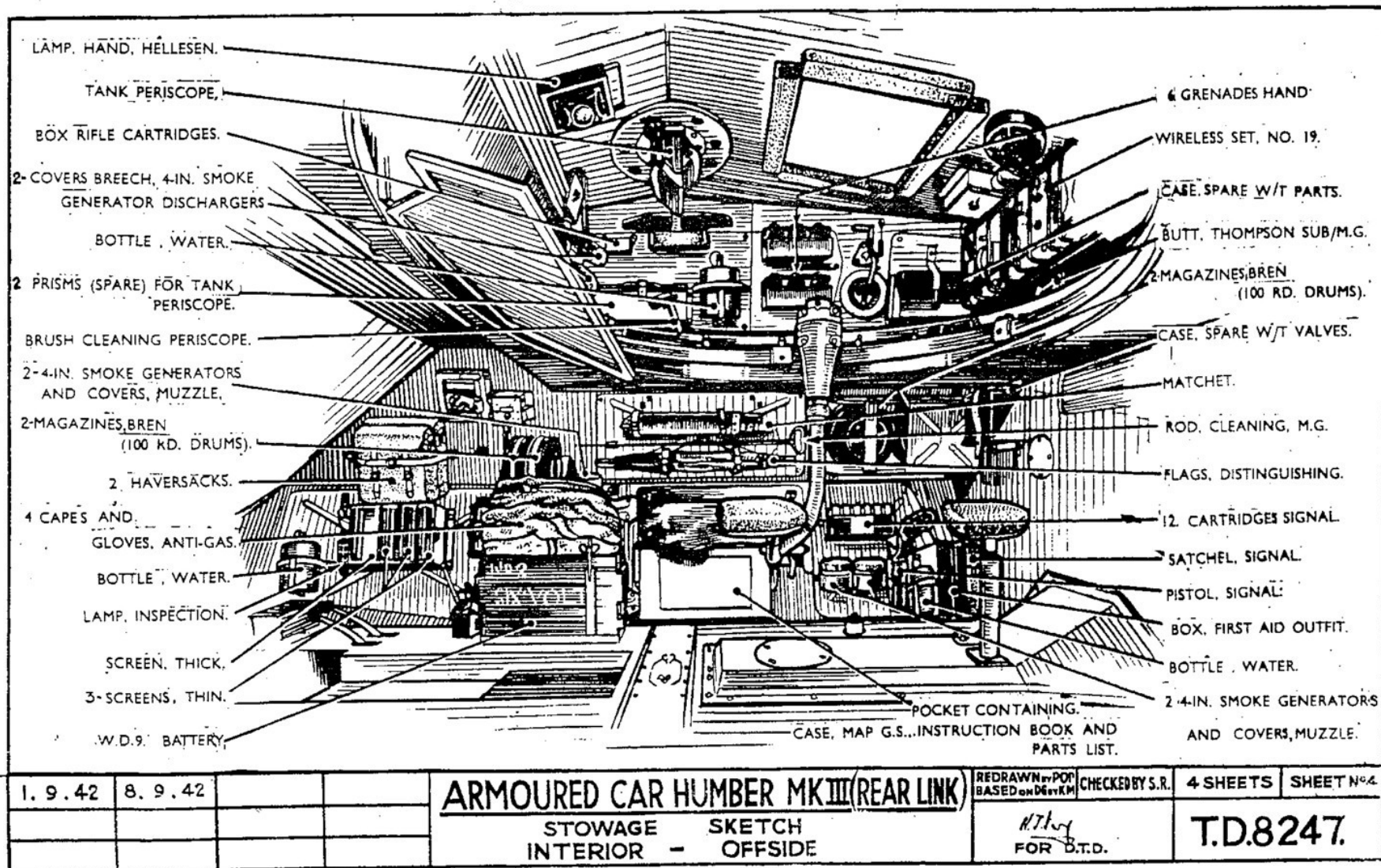
				ARMOURD CAR, HUMBER, MARK III		SKETCH BY KARRIER MOTORS LTD.		6 SHEETS		SHEET 1.	
				STOWAGE SKETCH		CHECKED BY <i>A.S.</i>					
				EXTERIOR - NEAR SIDE		<i>W.D.</i> FOR D.T.D.				T.D. 4372.	
27-3-42	10342 (4)	19-3-43									



				ARMOURD CAR. HUMBER. MARK III		SKETCH BY KARRIER MOTORS LTD	6 SHEETS	SHEET 2.
				STOWAGE SKETCH EXTERIOR - OFFSIDE.		CHECKED BY <i>G.A.S.</i>	T.D. 4372.	
27-3-42	10-9-42 (4)	19-3-43			<i>K.T.H.</i> FOR D.T.D.			



		ARMoured CAR. HUMBER. MARK III	SKETCH BY KARRIER MOTORS LTD.	6 SHEETS	SHEET 3.
			STOWAGE SKETCH	CHECKED BY <i>A.R.S.</i>	T.D. 4372.
27-3-42	10942 (4)	INTERIOR - NEAR SIDE.	<i>H.T. Jay</i>		
	19-3-43		FOR D.T.D.		



COLLINS-JONES.

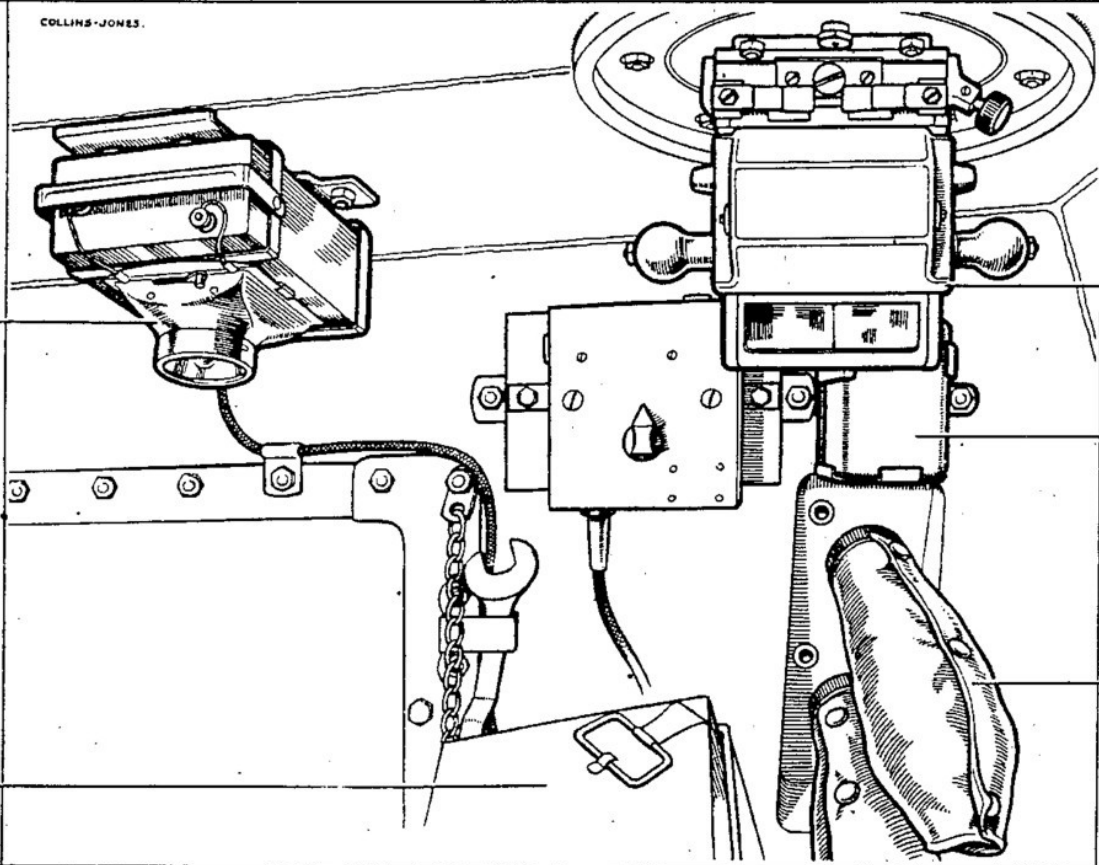
LAMP, HAND, HELLESON, COMPLETE.

PERISCOPE N°6.

CAN, GREASE, M.G. (FOR 15 $\frac{1}{4}$ M. GUN).

COVERS, BREACH, RIFLE N°2
MARK I ON DISCHARGERS, 2 OFF.

BOX, AMMUNITION, S.A.H.30. 15 $\frac{1}{4}$ M.G.



ARMOURED CAR, HUMBER, MARK III
STOWAGE SKETCH
TURRET - RIGHT HAND, FORWARD.

SKETCH BY KARRIER MOTORS LTD
 CHECKED BY *A.P.S.*

K.T. Joy
 FOR D.T.D.

6 SHEETS. SHEET 5.

T.D. 4372.

27-3-42	10-9-42 (4)	19-3-43

COLLINS-JONES.

PLUG, SPARKING, SPARE, 2 OFF.

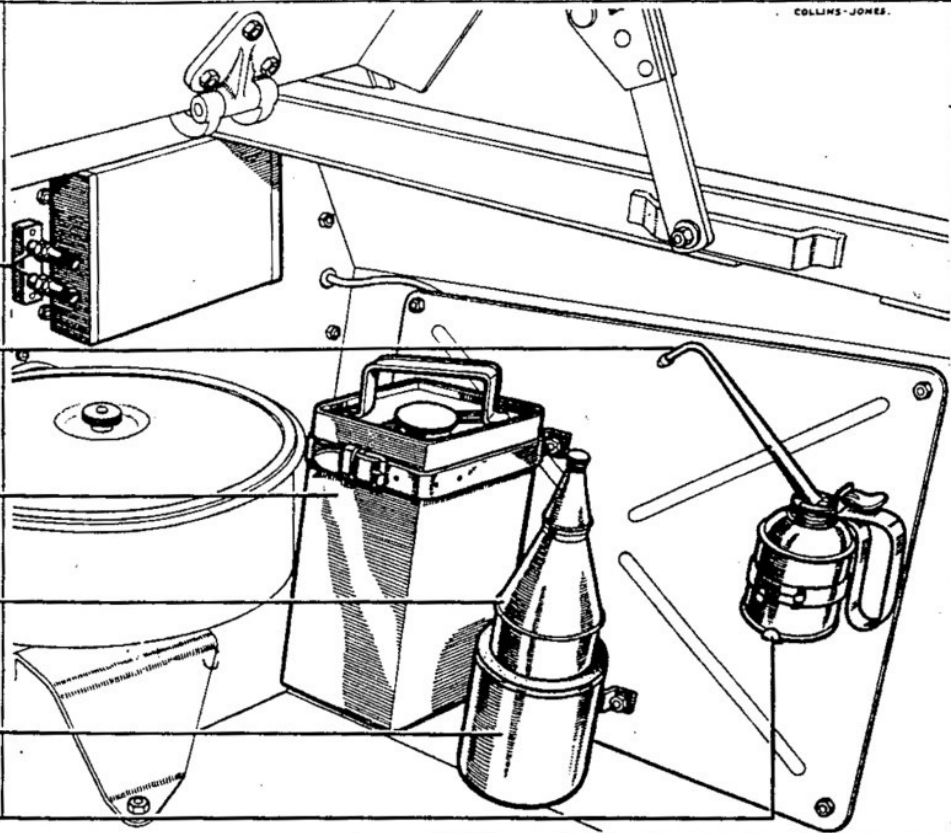
CAN, LUBRICATING, 1/2 PINT.

CAN, 1 GALLON, WATER.

CAN, OIL, 1 QUART.

CONTAINER, OIL CAN.

HOLDER, CAN, LUBRICATING.



27-3-42	10-9-42 (4)	19-3-43
---------	-------------	---------

ARMoured CAR, HUMBER, MARK III
STOWAGE SKETCH
ENGINE COMPARTMENT - RIGHT HAND FORWARD

SKETCH BY KARRIER MOTORS LTD

CHECKED BY *A.P.S.*

K.T.H.
FOR D.T.D.

6 SHEETS SHEET 6

T.D.4372.