

CHENOWTH

RACING PRODUCTS

Technical Data: Fast Attack/Light Strike Vehicle

Major Specifications

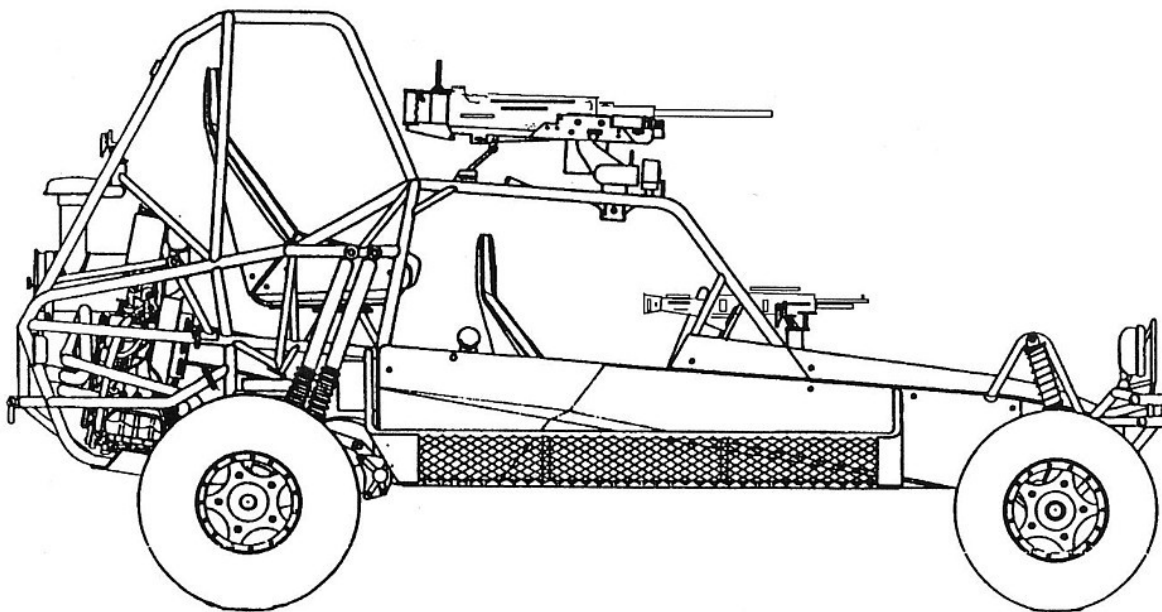
Description: 3-man 2 X 4
Gross vehicle wt: 3500 lbs.
Payload: 1500 lbs.
Engine type: Gas
Engine size: 2000cc
(Diesel in development)

Major Dimensions

Wheelbase: 114 in.
Overall length: 161 in.
Overall height: 79 in.
Overall width: 83 in.
Ground clearance: 16 in.
Approach angle: 81 deg.
Departure angle: 48 deg.

Performance Data

Acceleration 0-30mph 4 Sec.
Speed (max) 80MPH
Range: 320 Miles
(with aux tank) 600 Miles
Fuel Consumption: 15MPG
Max. grade: 75%
Max. side slope: 50%



Weapons Used:

Mark 19 40mm. Grenade Machine Gun
M2 .50 Cal. Machine Gun
M60 7.62 Machine Gun
AT-4 Missile
Low Recoil 30mm. Cannon
TOW Missile Launcher

Mission Roles:

Special Operations Vehicle
Command and Control Vehicle
Weapons Platform
Rear Area Combat Operation (RACO)
Reconnaissance Vehicle
Forward Observation/Lasing Team
Military Police Vehicle
Artillery Forward Observer Vehicle

User Comments:

"We were able to do things that were not possible in the past".

"We found that anywhere a 4 wheel drive vehicle can operate at all, we can operate comfortably at twice the speed"..

U.S. Navy Seals in "Operation Desert Storm" 1991

Chenoweth Racing Products, Inc. 943 Vernon Way, El Cajon, California, 92020 USA
Phone # (619) 449-7100 Fax # (619) 449-7103

Washington office - 1101 30th St. NW Suite 302, Washington, DC 20007
Phone # (202) 625-2424 Fax # (202) 338-3368