

United States Patent

Des. 237,873
Patented Dec. 2, 1975

237,873

ALL-TERRAIN VEHICLE

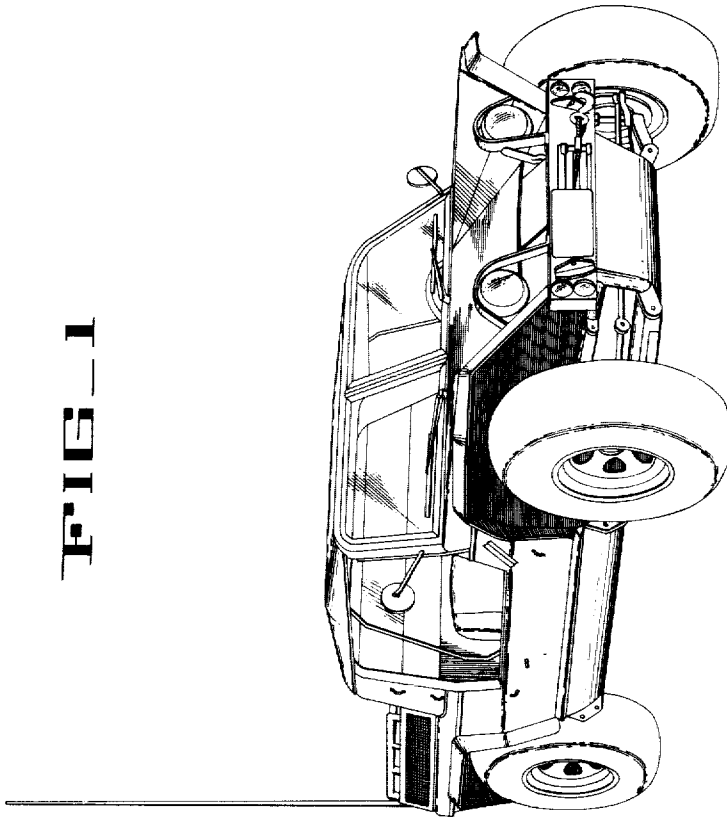
Norman B. Johnson, San Jose, Calif., assignor to
FMC Corporation, San Jose, Calif.

Filed July 2, 1973, Ser. No. 376,040

Term of patent 14 years

U.S. Cl. D12—87 Int. Cl. D12—08

FIG. 1



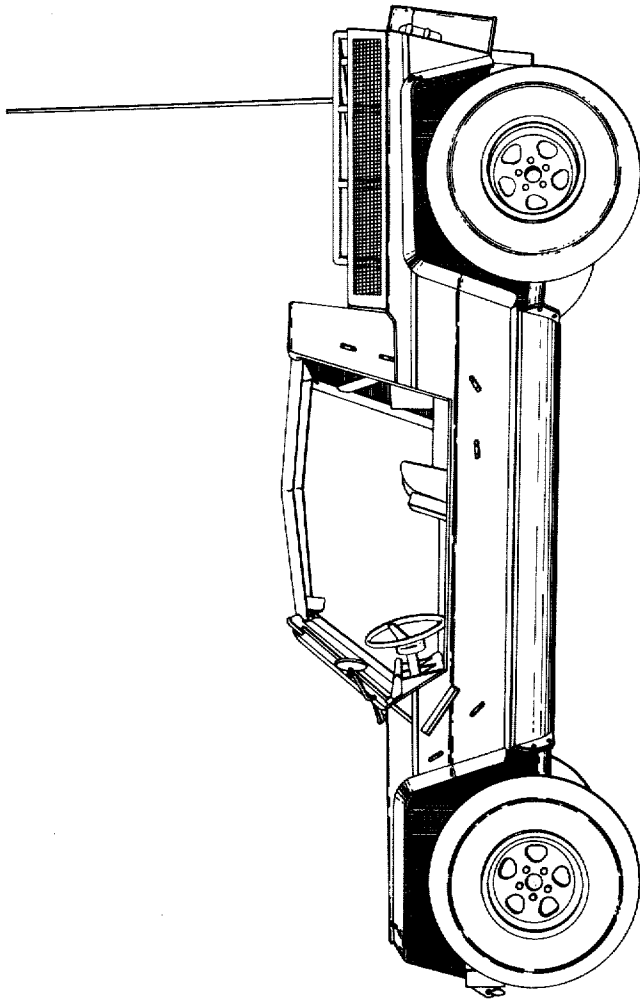


FIG. 2

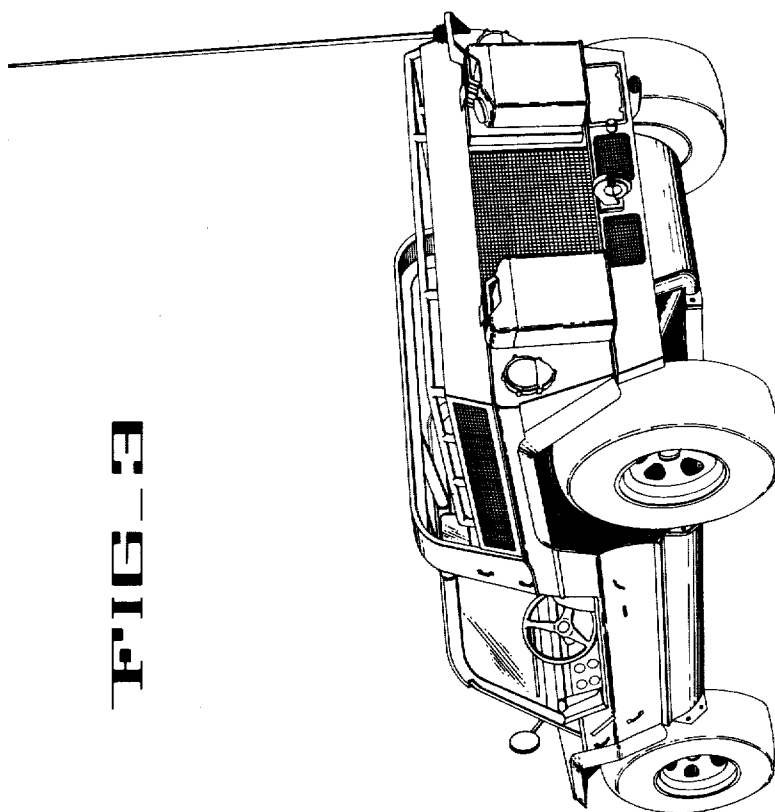


FIG-3

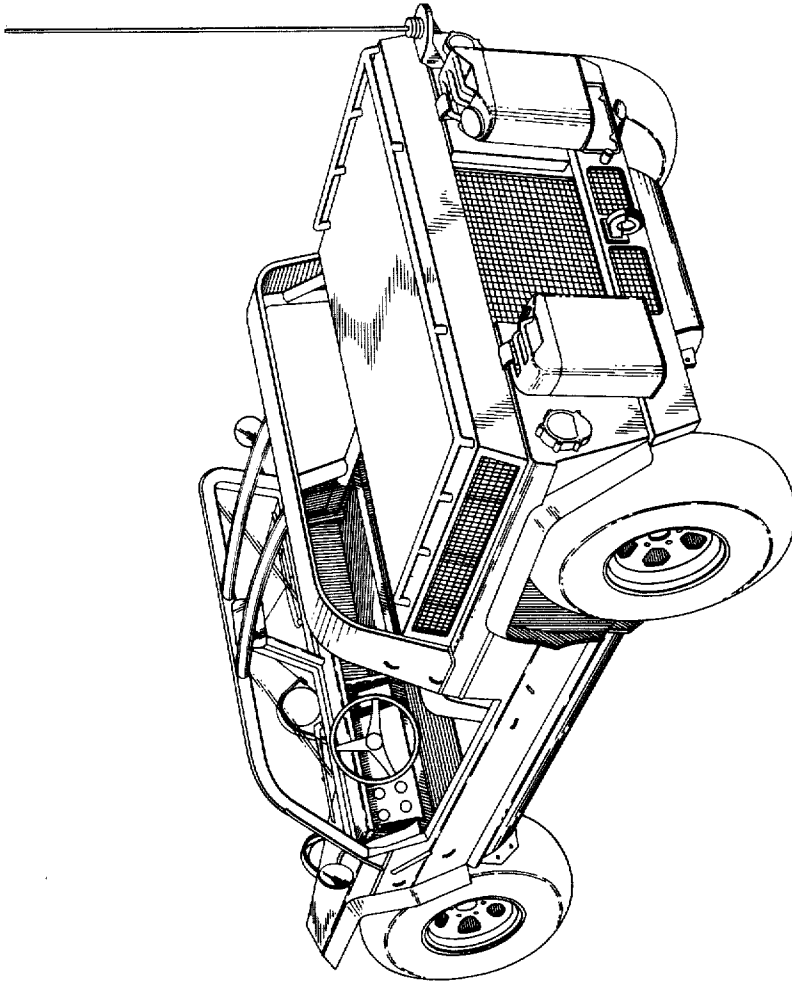


FIG. 1

FIG. 1 is a right front perspective view of an all-terrain vehicle showing my new design;

FIG. 2 is a perspective view of the left side thereof with the canvas top removed;

FIG. 3 is a left rear perspective view thereof with the canvas top removed; and

FIG. 4 is a top, left, rear perspective view thereof with the canvas top removed.

I claim:

The ornamental design for an all-terrain vehicle, as shown.

References Cited

UNITED STATES PATENTS

D. 223,817	6/1972	Halopoff	-----	D12-87
3,366,411	1/1968	Vittone	-----	D12-87

WALLACE R. BURKE, Primary Examiner

J. M. GANDY, Assistant Examiner